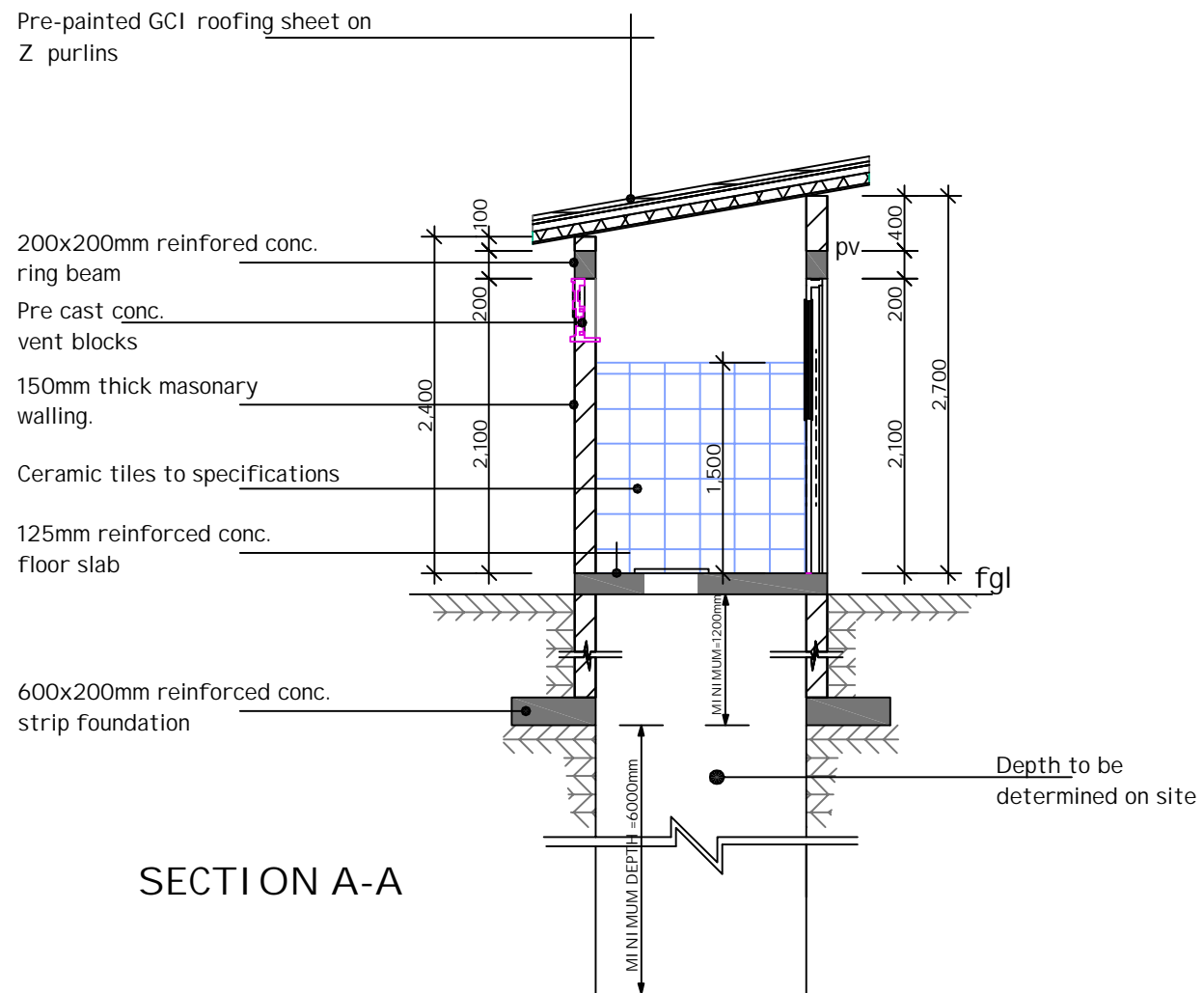
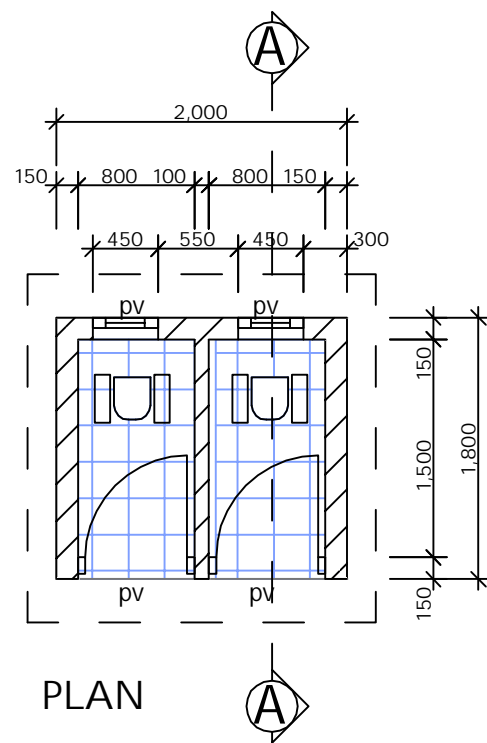


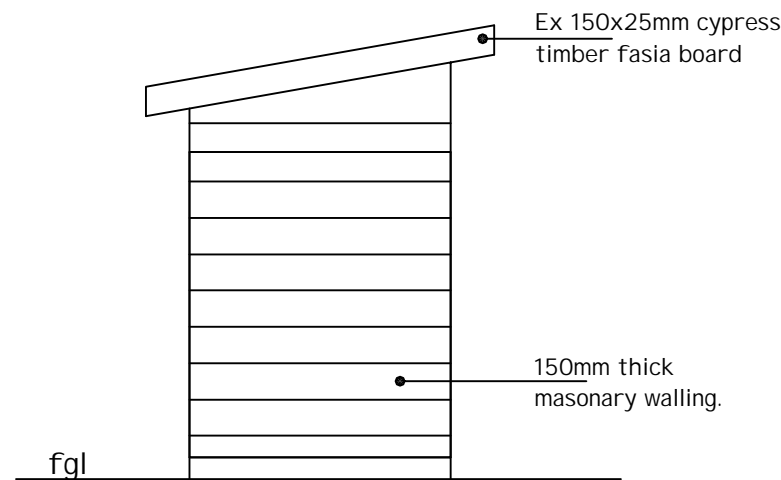
REAR VIEW



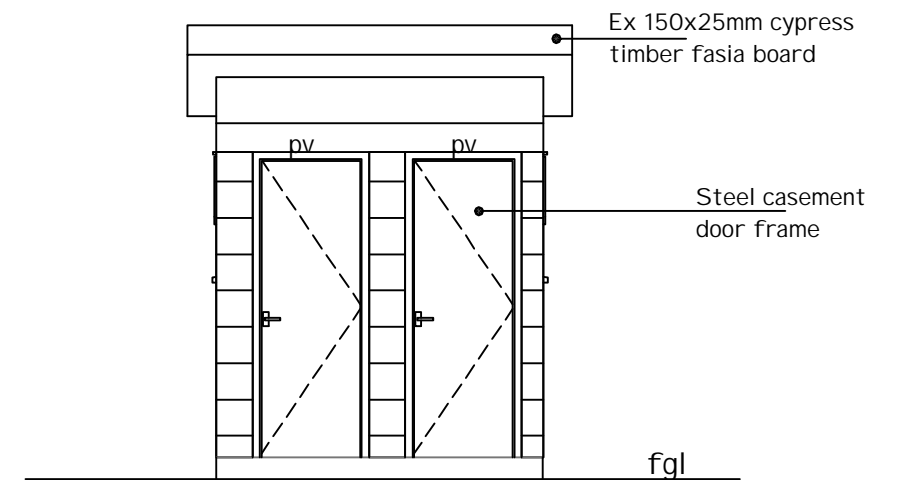
SECTION A-A



PLAN



SIDE VIEW



FRONT VIEW

	NAME	DATE	SIGN
APPROVED			
CHECKED ENGINEER I/C			
CHECKED PRINCIPAL D'MAN	B. GAITHO		
DRAWN	J.M.Kahare	23/02/2010	Kahare
TRACED			

REF	REVISION	DATE	SIGN	CHECKED	DATE
1					
2					
3					
4					
5					
6					

DETAILS OF PIT-LATRINE AT PRIMARY SUB - STATION

SCALE 1 :50

SHEET 3C



K.P.&L.Co.Ltd

SK. No. 09847/A